

# Saffire EVO VR-D

## Wi-Fi Deadbolt Lock



### Applications

- Manage access rights for guests and staff in real time, from anywhere
- Easily send digital keys or PIN codes to guests and staff
- Allow guests to use their mobile device, RFID credentials or PIN to access their rental unit or common areas
- Provide time sensitive PINs to service and maintenance personnel
- Control when and where guests and staff can go throughout the property
- Quickly delete lost credentials to keep the property secure
- Get real-time notifications including events and lock status

### Overview

Saffire EVO VR-D is a Wi-Fi deadbolt lock that combines high-performance with modern aesthetics, seamlessly integrating with property technology providers for vacation and short-term rental properties. The Saffire EVO VR-D provides an easy-to-use, secure, and flexible solution offering increased convenience to homeowners, guests, staff, and property managers. The Saffire EVO VR offers the convenience of using secure and time sensitive PIN codes, mobile devices, or RFID credentials, eliminating the need to pick up or drop off keys.

### Security with IoT Connectivity

The Saffire EVO VR-D deadbolt lock\* is equipped with Wi-Fi onboard, ensuring connectivity to the dormakaba cloud and seamless integration to our partner platforms for real-time events and user notifications. Online connectivity of the Saffire EVO VR-D also provides continuous updates for built-in device security.

### Designed for our aggregator partners

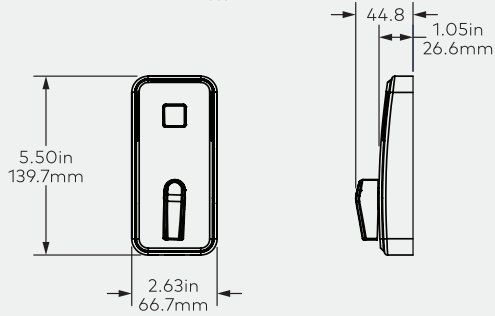
The Saffire EVO VR product lineup is specifically designed to integrate with our dormakaba partner platforms to ensure a premium user experience for vacation and short-term rental guests. The dormakaba Saffire EVO VR cloud-connected smart locks allow easy access management of guests, amenities, common areas and perimeters, all through a single integrated platform.

### Security features

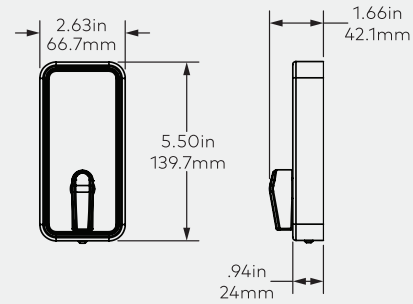
- No keys or keycards required
- Secure, time-sensitive 6-digit codes
- Online connectivity ensures continuous firmware updates for increased device security
- BHMA A156.36 Grade 2
- UL 10C 3-hour fire rating
- Non-volatile memory maintains lock programming and audit records
- Tamper-proof design
- No need to visit the lock to update access

\*Lever supplied separately for Deadbolt option.

OUTSIDE TRIM FOR VR-D



INSIDE TRIM FOR VR-D



**Mechanical Features**

<b>Description</b>	Electronic deadbolt lockset with clutch mechanism and built-in Wi-Fi connectivity, RFID, Bluetooth and keypad
<b>Handing</b>	Field handed
<b>Finishes</b>	Satin chrome (626) with exterior ocean front finish
<b>Door Thickness</b>	From 1 3/8" to 2 1/8" (35mm to 54mm)
<b>Locking Options</b>	ANSI/BHMA Grade 2 with 1" deadbolt
<b>Batteries</b>	3 AA. Low battery indicator for preventative maintenance is both local visual and event notification populated in system. Passive warning and notification
<b>Electronic Battery Backup</b>	Electronic Lock Power Supply (ELPS) battery backup. ELPS part number 118-515990
<b>Wi-Fi Online Control</b>	Wi-Fi 2.4GHz IEEE, 802.11 b/g/n, WPA2, WPA, AES 128 and TLS 1.2, -70dB signal strength at the lock

**Mobile Access**

<b>BLE Enabled</b>	Bluetooth Low Energy 2.4 GHz version 4.2, iOS or Android mobile device support, AES 128 and DTLS security, supported through partner mobile app
--------------------	---

**Lock Operation**

<b>No Touring</b>	New credentials applied to lock through Wi-Fi
<b>Electronic Access</b>	User defined, customizable access for residents, visitors, and property managers available through partner application
<b>Audit Trail</b>	Audit trail managed through Wi-Fi 5,000 events
<b>Credential Formats</b>	dormakaba ComID high security credentials 13.56MHz MIFARE DESFire EV2/EV3 ISO card or fob / Mobile access credentials (BLE) / 6 digit PIN codes
<b>Feedback LED</b>	Light indicators
<b>DiagnosticsBackup</b>	Lock diagnostics done through partner application
<b>Memory</b>	Non-volatile memory stores up to 5,000 events

## Certifications & Testing

---

<b>Certification</b>	BHMA A156.25; BHMA 156.36 Grade 2; Florida Building Code HVHZ & non-HVHZ
<b>Accessibility Standard</b>	Complies with 2010 ADA Standards for Accessible Design. Must be installed according to ADA and local requirements
<b>Fire Rating</b>	Meets UL 10C and ULC S-104, on fire door rated up to and including 3 hours
<b>Electronics</b>	Compliant with RED Directive 2014/53/EU for electromagnetic compatibility and FCC part 15 and RSS-247 Industry Canada requirement
<b>Environmental Operating Conditions</b>	-31°F to 158°F (-35°C to 70°C), 0% to 90% non-condensing humidity at 86°F (30°C) Meets IP54

## Warranty

---

<b>Standard Warranty</b>	Two years
--------------------------	-----------

---

**Any questions? We would be happy to advise you.**

Contact us on: 1 888 217 5654